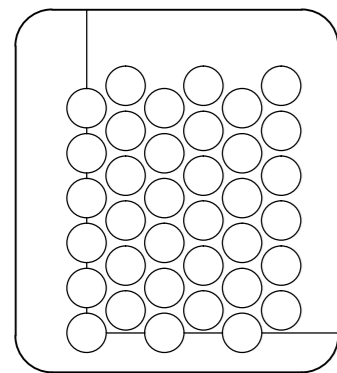
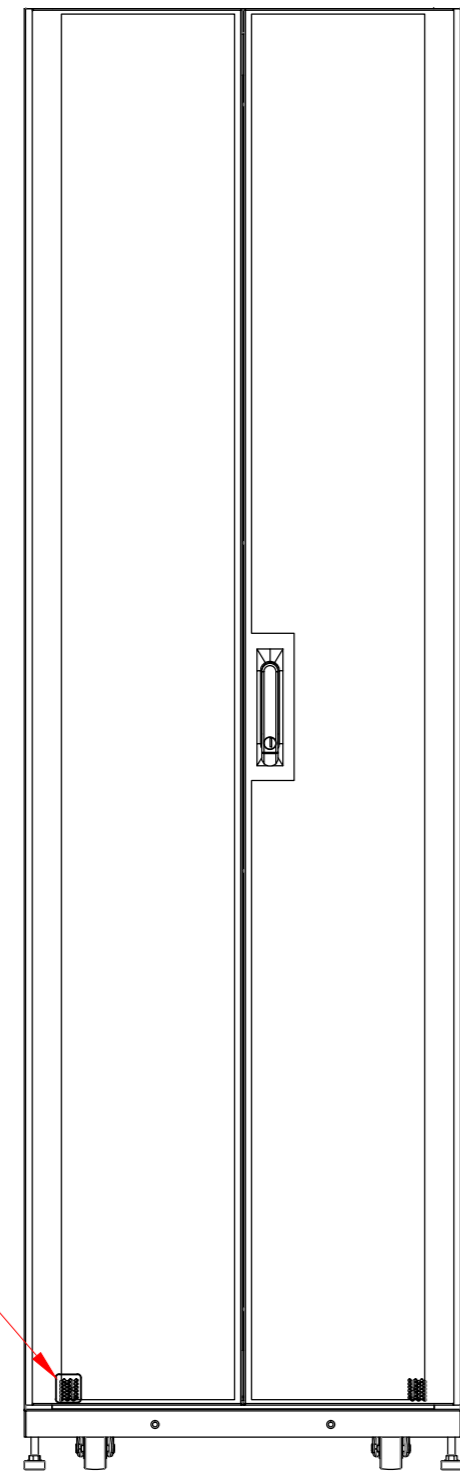


This panel is constructed with perforated material

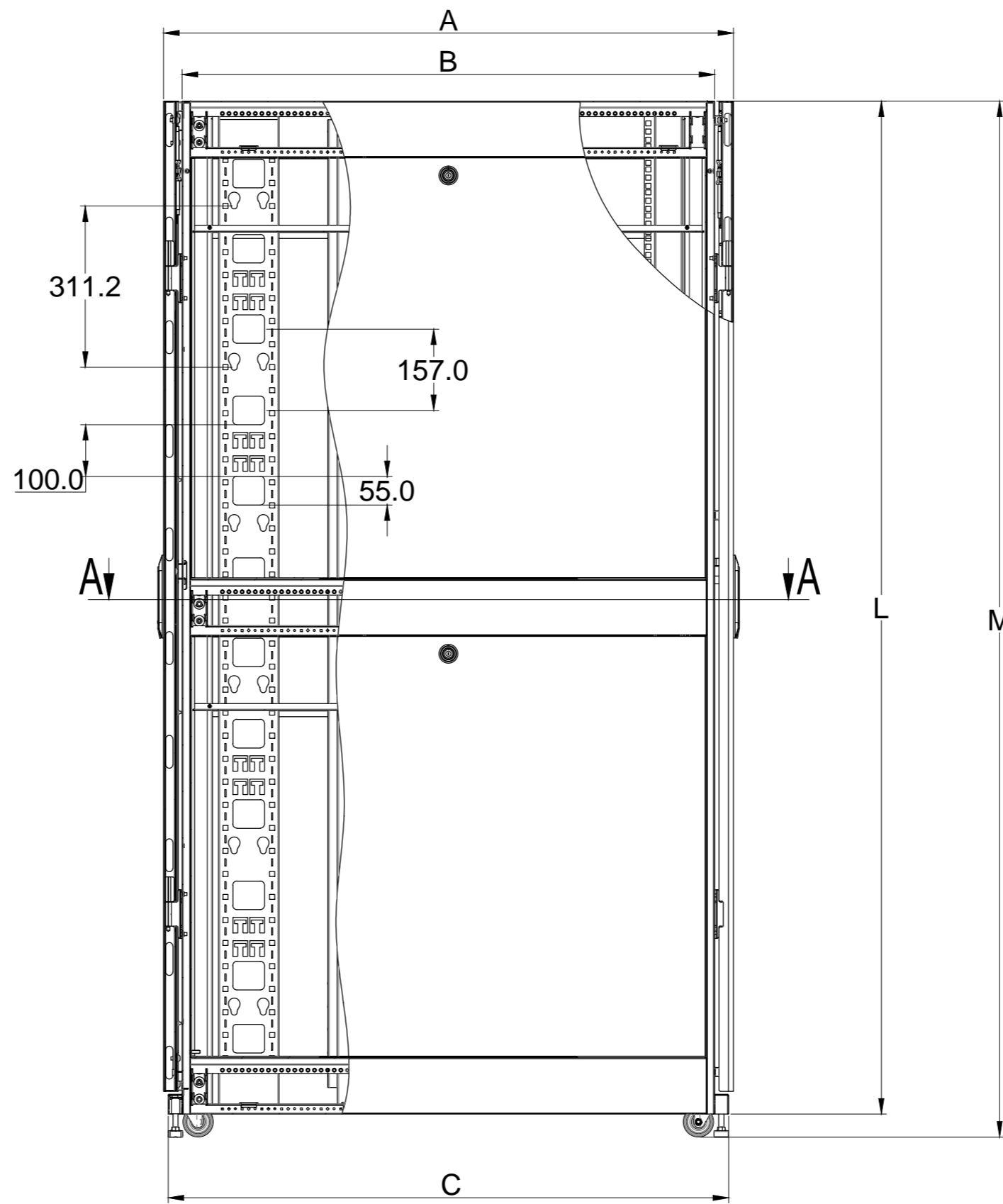


DETAIL A  
SCALE 0.400

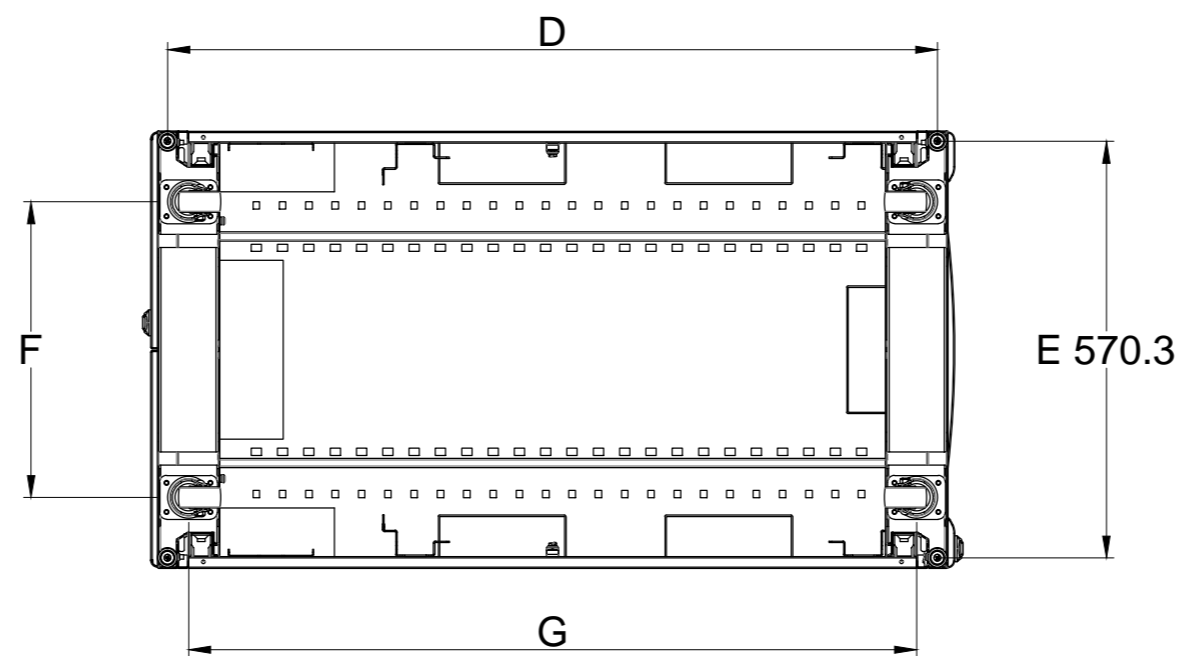
DETAIL A



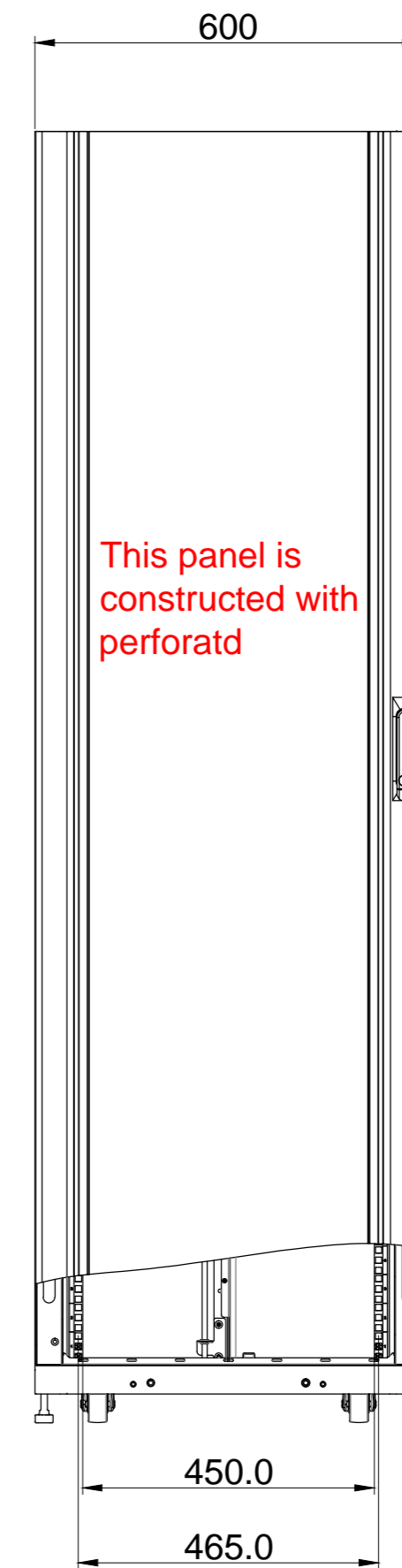
LEFT VIEW



FRONT VIEW



BOTTOM VIEW



RIGHT VIEW

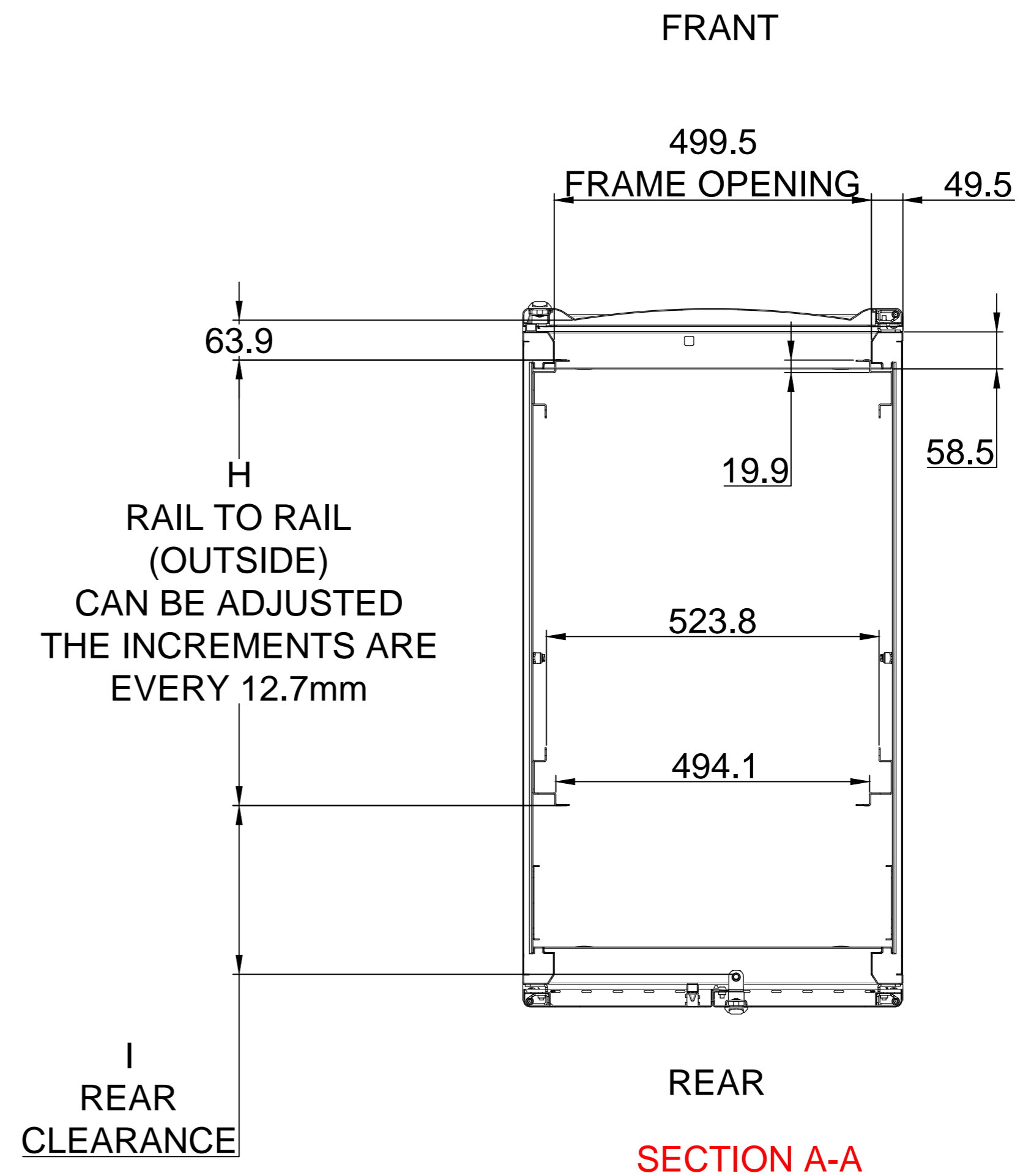
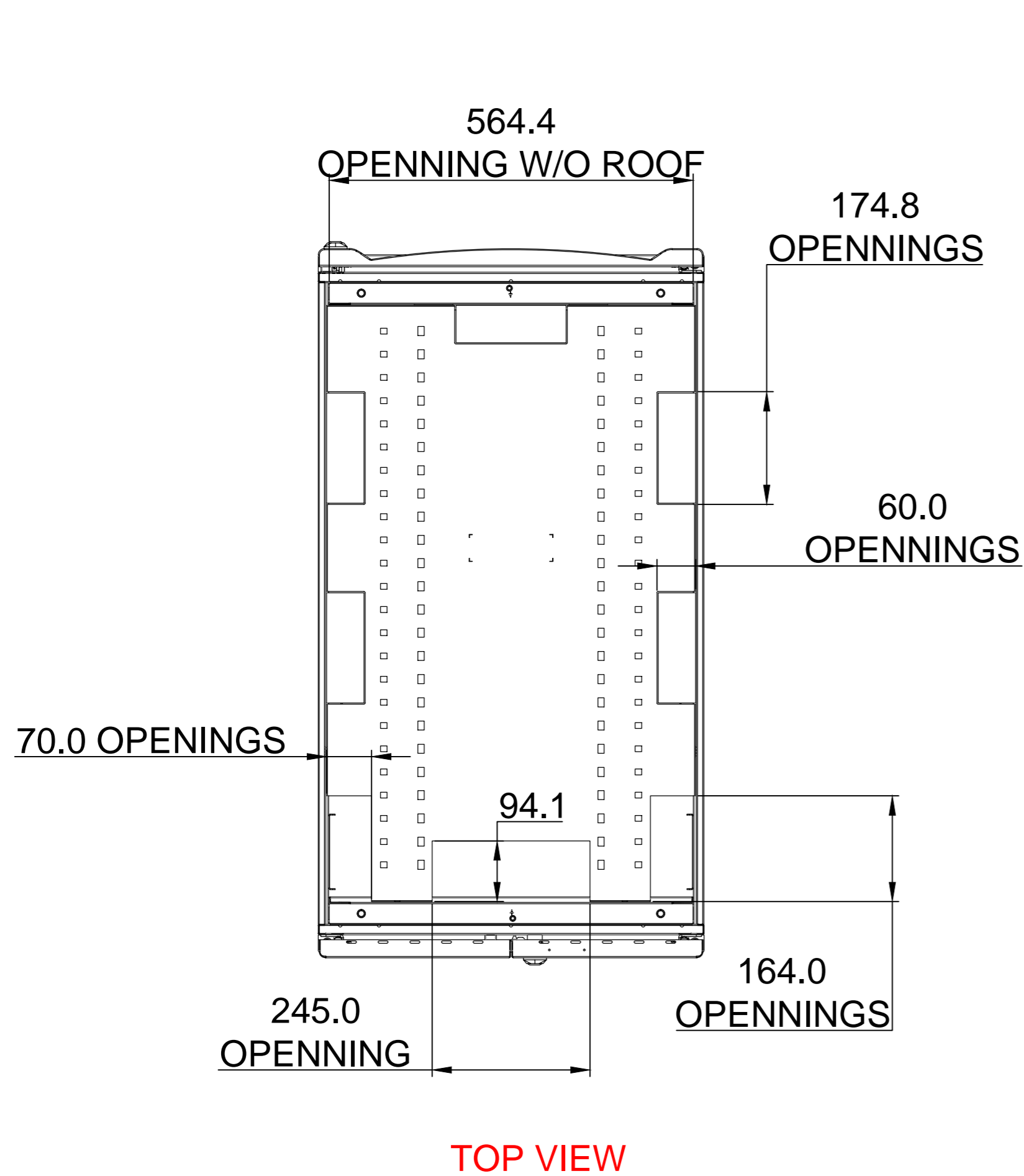
This panel is constructed with perforated material

**NOTES:**


1. COMPLY WITH ALL APPLICABLE NATIONAL, STATE AND LOCAL ELECTRICAL REGULATIONS.
2. REFER TO THE PRODUCT DOCUMENTATION FOR ADDITIONAL DETAILS PRIOR TO INSTALLATION AND SITE PREPARATION WORK.
3. ALL DIMENSIONS ARE IN MILLIMETERS .
4. NET WEIGHT OF ENCLOSURE IS 110-150 Kg .
5. CABLE ENTRY IS TOP OR BOTTOM OF ENCLOSURE.
6. FRONT AND REAR SERVICE ACCESS REQUIRED.
7. AIR FLOW AND SERVICE REQUIREMENTS, AS WELL AS MINIMUM CLEARANCE TO FIRE SUPPRESSION SYSTEMS SHOULD BE CONSIDERED WHEN LOCATING THE ENCLOSURE.

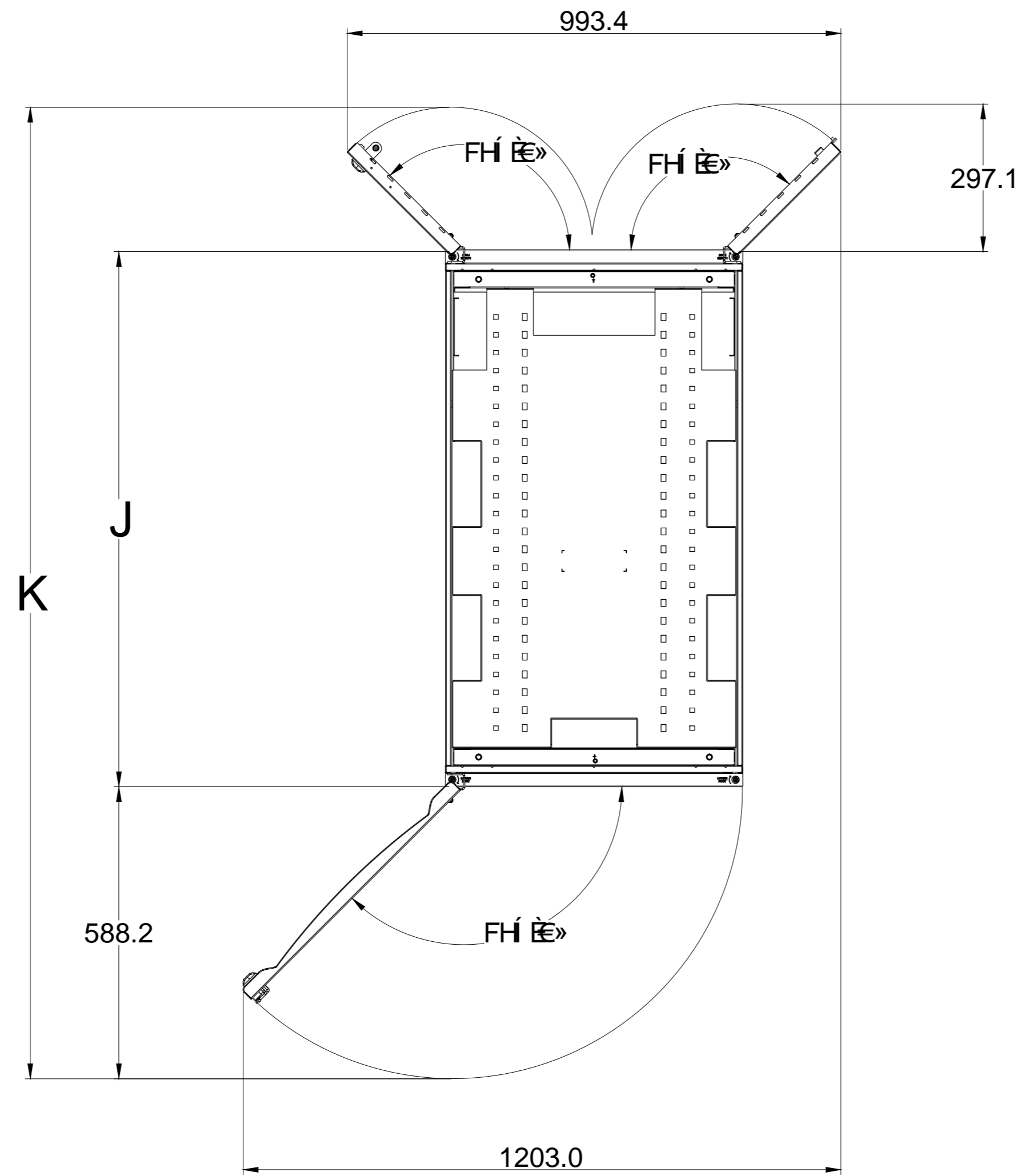
THIS DRAWING AND SPECIFICATIONS HEREIN ARE THE PROPERTY OF Rakworx AND SHALL NOT BE COPIED, REPRODUCED OR USED IN WHOLE OR IN PART, AS THE BASIS FOR THE MANUFACTURE OR SALE OF ITEMS WITHOUT WRITTEN PERMISSION FROM Rakworx. THIS DRAWING IS BASED UPON LATEST AVAILABLE INFORMATION AND IS SUBJECT TO CHANGE WITHOUT NOTICE.

	Name	Date	Description	Drawing No.
Drawn by			RCS	Unit: mm
Approved by				
			Scale: 1:1	Third angle projection
				Sheet:




THIS DRAWING AND SPECIFICATIONS HEREIN ARE THE PROPERTY OF Rakworx AND SHALL NOT BE COPIED, REPRODUCED OR USED IN WHOLE OR IN PART, AS THE BASIS FOR THE MANUFACTURE OR SALE OF ITEMS WITHOUT WRITTEN PERMISSION FROM Rakworx. THIS DRAWING IS BASED UPON LATEST AVAILABLE INFORMATION AND IS SUBJECT TO CHANGE WITHOUT NOTICE.

	Name	Date	Description	Drawing No.
Drawn by			RCS	
Approved by				
			Scale: 1:1	Unit: mm
			Third angle projection	Sheet:




**TOP VIEW  
(DOORS FULLY OPEN)**

THIS DRAWING AND SPECIFICATIONS HEREIN ARE THE PROPERTY OF Rakworx AND SHALL NOT BE COPIED, REPRODUCED OR USED IN WHOLE OR IN PART, AS THE BASIS FOR THE MANUFACTURE OR SALE OF ITEMS WITHOUT WRITTEN PERMISSION FROM Rakworx. THIS DRAWING IS BASED UPON LATEST AVAILABLE INFORMATION AND IS SUBJECT TO CHANGE WITHOUT NOTICE.

	Name	Date	Description	Drawing No.
Drawn by			RCS	
Approved by				
			Scale: 1:1	Unit: mm
			Third angle projection	Sheet:

NO.	Drawing No.	A	B	C	D	E	F	G	H	I	J	K	L	M	
1	RCS62100	1000.0	927.6	981.6	953.3	570.3	404.6	895.6	656.8	160.0	977.8	1856.6	1955.0	1999.5	42U
2	RCS62107	1070.0	997.6	1051.6	1023.3	570.3	404.6	965.6	707.6	230.0	1047.8	1926.6	1955.0	1999.5	42U
3	RCS62110	1100.0	1027.6	1081.6	1053.3	570.3	404.6	995.6	707.6	260.0	1077.8	1956.6	1955.0	1999.5	42U
4	RCS62120	1200.0	1127.6	1181.6	1153.3	570.3	404.6	1095.6	707.6	360.0	1177.8	2056.6	1955.0	1999.5	42U
5	RCS68100	1000.0	927.6	981.6	953.3	570.3	404.6	895.6	656.8	160.0	977.8	1856.6	2221.7	2266.2	48U
6	RCS68107	1070.0	997.6	1051.6	1023.3	570.3	404.6	965.6	707.6	230.0	1047.8	1926.6	2221.7	2266.2	48U
7	RCS68110	1100.0	1027.6	1081.6	1053.3	570.3	404.6	995.6	707.6	260.0	1077.8	1956.6	2221.7	2266.2	48U
8	RCS68120	1200.0	1127.6	1181.6	1153.3	570.3	404.6	1095.6	707.6	360.0	1177.8	2056.6	2221.7	2266.2	48U

THIS DRAWING AND SPECIFICATIONS HEREIN ARE THE PROPERTY OF Rakworx AND SHALL NOT BE COPIED, REPRODUCED OR USED IN WHOLE OR IN PART, AS THE BASIS FOR THE MANUFACTURE OR SALE OF ITEMS WITHOUT WRITTEN PERMISSION FROM Rakworx. THIS DRAWING IS BASED UPON LATEST AVAILABLE INFORMATION AND IS SUBJECT TO CHANGE WITHOUT NOTICE.

	Name	Date	Description	Drawing No.
Drawn by			RCS	Unit: mm
Approved by				
			Scale: 1:1	Third angle projection
				Sheet: