

## ServSwitch Wizard SRX USB KVM Extenders

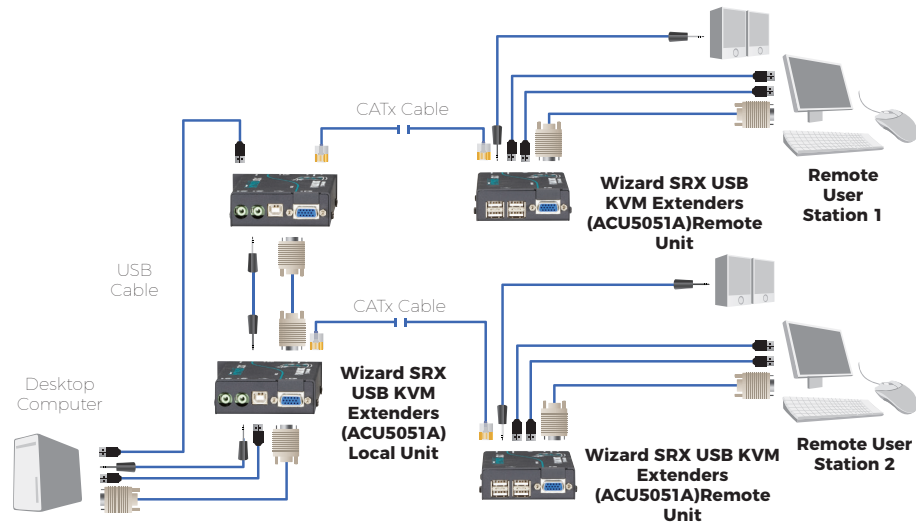
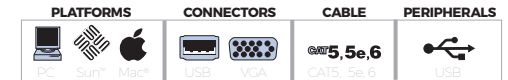
**Extend high-resolution  
VGA with USB 1.1 and  
stereo audio more than  
160 feet over CATx cable.**



## FEATURES

- » Transparent USB 1.1 and USB 2.0 support up to 164 feet (50 m) over a single CATx cable.
- » Support resolutions up to 1920 x 1440 at 60 Hz.
- » Extend video, audio, USB keyboard and mouse signals, and up to two USB peripherals.
- » DDC EDID reads from the local display, eliminating plug-and-play issues.
- » Local VGA and stereo audio feedthrough.
- » Dual-video model also works with RS-232.
- » Rack up to 16 units with the Rackmount Chassis for ServSwitch™ KVM Extender (ACU5000A).

Extend one or two video, audio, USB keyboard and mouse user stations, and up to two USB peripherals more than 160 feet using CATx cable.



## OVERVIEW

### The power of transparent USB

ServSwitch Wizard™ SRX USB KVM Extenders from Black Box combine VGA, USB 1.1 or USB 2.0, and audio, and send them up to 164 feet across a single CATx cable. It's easy to fine-tune the video image on the remote unit and get crystal-clear stereo audio and transparent USB.

### DDC EDID read and store support

Modern graphics adapter cards – even with analog output – require the presence of Display Data Channel (DDC) information. Without it, they output low-quality video or none at all. ServSwitch Wizard SRX USB Extenders read the DDC information from the attached local display and store it in the local unit's non-volatile memory.

### Small form factor

The ServSwitch Wizard SRX USB KVM Extender's compact chassis enables you to mount it side by side in the Rackmount Chassis for ServSwitch KVM Extender (ACU5000A). Use it to mount up to 16 single-video units or eight dual-video versions in just 2U.

### Support for RS-232

The dual-video version of the SRX series (ACU5052A) uses two CATx links to transmit the signals. The second video link carries a transparent RS-232 port up to 19.2 kbps.

### Local access

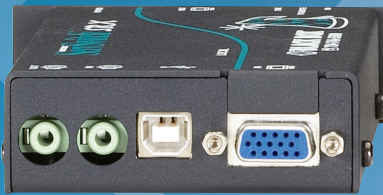
All local units have audio and VGA feed-through, giving you local access just by plugging a keyboard and mouse directly into the spare PC USB ports.

### Dual-user configuration

With two single-video units, you can connect two workstations with keyboards, monitors, and mice to one CPU tower. Two users can use the local connections to monitor and diagnose the CPU. This setup is ideal for a remote CPU that doesn't need to be monitored simultaneously by two users.



ACU5052A:  
Left: Remote Unit;  
Right: Local Unit



ACU5051A:  
Local Unit: side view



ACU5051A:  
Remote Unit: side  
view

## TECH SPECS

CE Approval – Yes

RoHS – Yes

Connectors –

ACU5051A: Local Unit: (1) RJ-45; (1) USB Type B F;  
(2) HD15 F for VGA; (2) 3.5-mm audio jack F;

(1) barrel jack for power;

Remote Unit: (1) RJ-45; (4) USB Type A; (1) HD15 F for VGA;

(1) 3.5-mm audio jack F;

(1) barrel jack for power;

ACU5052A: Local Unit: (2) RJ-45; (1) USB Type B;  
(4) HD15; (2) 3.5-mm audio jacks F; (1) DB9 F;

(1) barrel jack;

Remote Unit: (2) RJ-45 F; (4) USB Type A F

(2) HD15 F for VGA; (1) 3.5-mm audio jack F;

(1) DB9 M; (1) barrel jack for power

Power – Autosensing 100–240 VAC/5 VDC 2.5 A (PS649-R3)

Size – ACU5051A: 1"H x 2.9"W x 4.9"D (2.6 x 7.5 x 12.5 cm);

ACU5052A: 2"H x 2.9"W x 4.9"D (5.2 x 7.5 x 12.5 cm)

Weight – 1.1 lb. (0.5 kg)

## What's included

- (1) Transceiver
- (1) Receiver
- (1) 5VDC 2.5A Power Supply
- (2) Rackmount Plates
- (1) USB Cable (A-B) 1.8m (6 ft.)
- (1) VGA Cable (HD15 Male-HD15 Male) 1.8m (6 ft.)
- (1) Audio Cable (3.5mm male to male) 1.8m (6 ft.)
- (1) Set of Rubber Feet (4)

### Item

### Code

ServSwitch Wizard SRX USB KVM Extenders

Single-Video, USB and Audio

Dual-Video, USB, Audio, and RS-232

**ACU5051A**

**ACU5052A**

### You may also need...

Rackmount Chassis for ServSwitch KVM Extender

For up to 16 Units

5-VDC Power Supply

**ACU5000A**

**PS649-R3**

## Why Buy From Black Box? Exceptional Value. Exceptional Tech Support. Period.

### Recognize any of these situations?

- You wait more than 30 minutes to get through to a vendor's tech support.
- The so-called "tech" can't help you or gives you the wrong answer.
- You don't have a purchase order number and the tech refuses to help you.
- It's 9 p.m. and you need help, but your vendor's tech support line is closed.

According to a survey by *Data Communications* magazine, 90% of network managers surveyed say that getting the technical support they need is extremely important when choosing a vendor. But even though network managers pay anywhere from 10 to 20% of their overall purchase price for a basic service and support contract, the technical support and service they receive falls far short of their expectations—and certainly isn't worth what they paid.

At Black Box, we guarantee the best value and the best support. You can even consult our Technical Support Experts before you buy if you need help selecting just the right component for your application.

Don't waste time and money—call Black Box today.

acu5051A\_(26985)\_ds\_Rev2.pdf

© COPYRIGHT 2011, 2022. BLACK BOX CORPORATION. ALL RIGHTS RESERVED.

