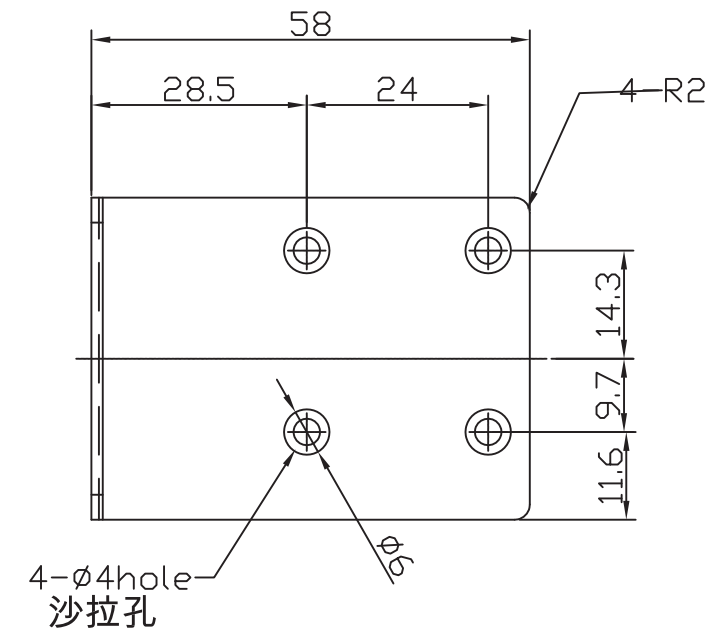
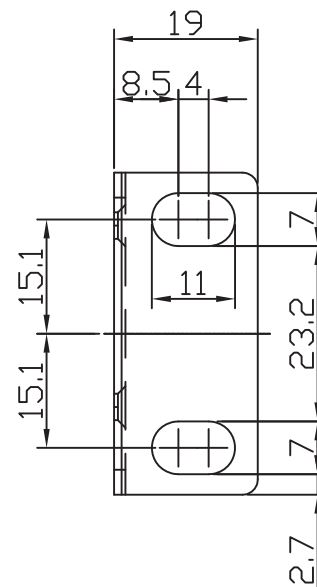
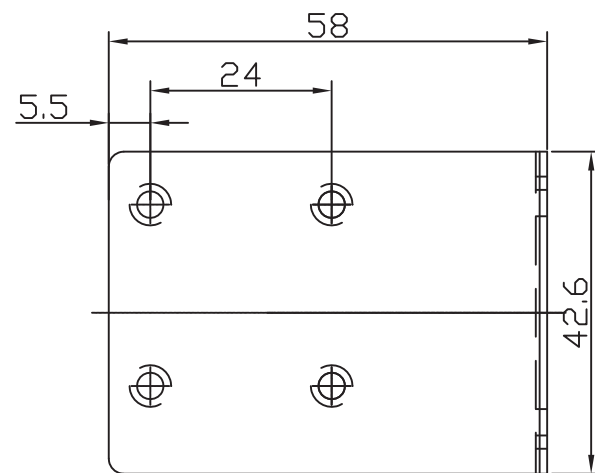
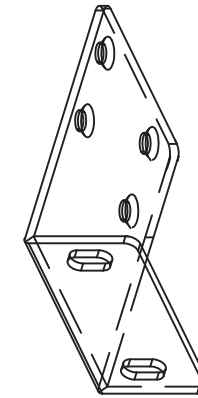
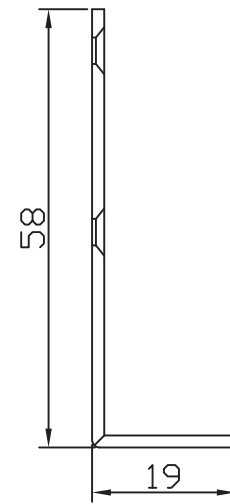
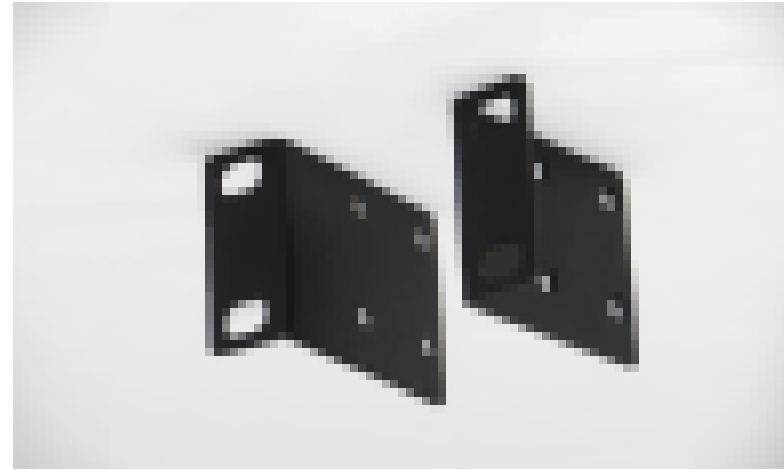


PROPRIETARY AND CONFIDENTIAL

The information contained in this drawing is the sole property of Dataprobe Inc. Any reproduction in part or as a whole without the written permission of Dataprobe Inc. is prohibited.



Note: Left Bracket shown with Dimension,

PROPRIETARY AND CONFIDENTIAL
THE INFORMATION CONTAINED IN THIS DRAWING IS THE SOLE PROPERTY OF DATAPROBE Inc. ANY REPRODUCTION IN PART OR AS A WHOLE WITHOUT THE WRITTEN PERMISSION OF DATAPROBE Inc. IS PROHIBITED.

		UNLESS OTHERWISE SPECIFIED		NAME	DATE	Dataprobe Inc.	
		DIMENSIONS ARE IN MM		DRAWN		TITLE: Brackets_1920032	
		TOLERANCES:		CHECKED			
		FRACTIONAL ±		ENG APPR.			
		ANGULAR: MACH ± BEND		MFG APPR.			
		TWO PLACE DECIMAL ±		Q.A.		SIZE DWG. NO. REV B 1920032	
		THREE PLACE DECIMAL ±		COMMENTS:			
		INTERPRET GEOMETRIC TOLERANCING PER:				SCALE: WEIGHT: SHEET 1 OF 1	
		MATERIAL					
NEXT ASSY	USED ON	FINISH					
APPLICATION		DO NOT SCALE DRAWING					