

# Combo KVM Extender



Receiver



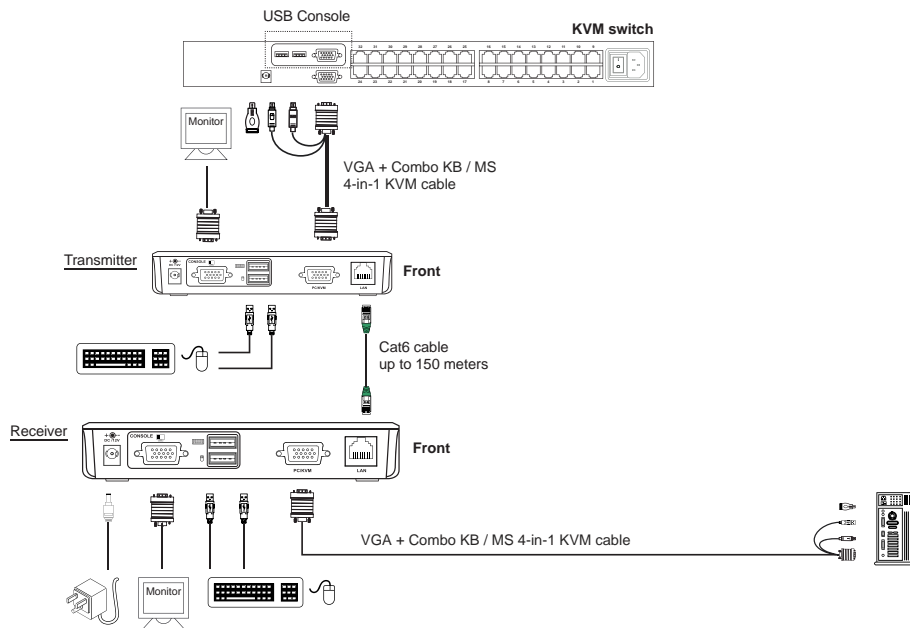
Transmitter

## CV-S101 Benefits

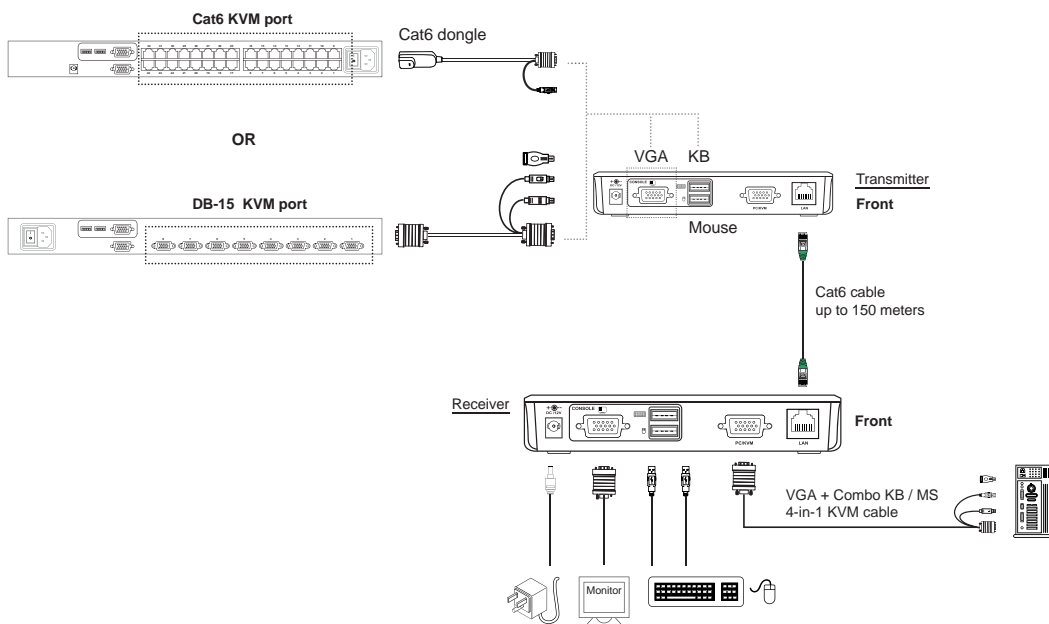
- Remote console up to 150M
- Dual user access at remote site
- Pure hardware solution makes network independent
- No software required



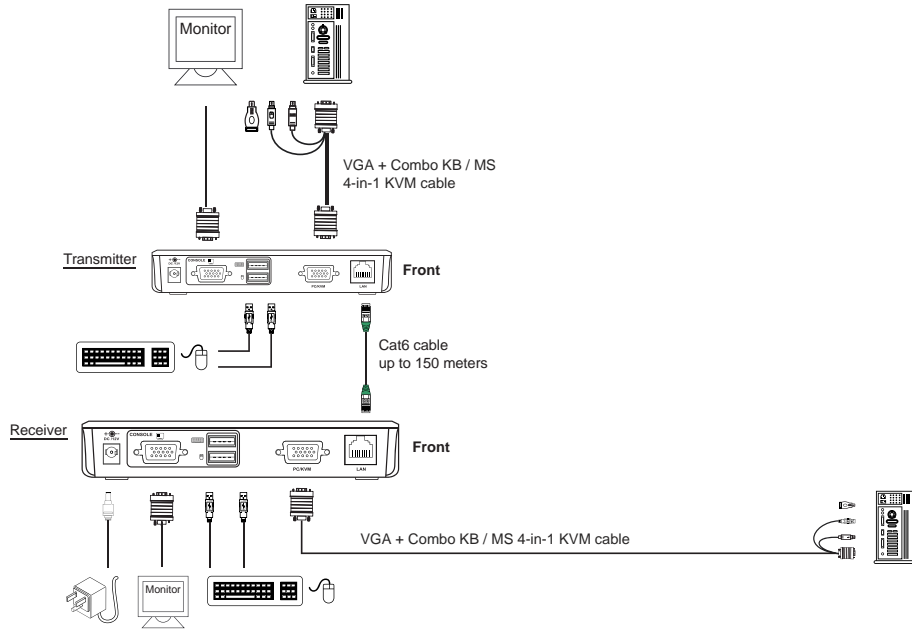
### Application < I > - Extending the KVM console port to 150 meters



### Application < II > - Extending the computer to KVM port to 150 meters



## Application < III > - Extending the computer up to 150 meters



## Product Specifications

Transmitter	
Console port	1 x DB-15 VGA, up to 1920 x 1440 2 x USB connector for KB & mouse
Remote I/O	1 x RJ-45, connect the Receiver, Resolution : 16:9 - ( 1920 x 1080 ) Max. 50 meters 16:10 - ( 1920 x 1200 ) Max. 50 meters 16:10 - ( 1440 x 900 ) Max. 100 meters 4:3 - ( 1600 x 1200 ) Max. 100 meters 4:3 - ( 1280 x 1024 ) Max. 150 meters
Local computer	1 x DB-15 combo KVM port
LED	Power ( blue ) On line ( green )
Power input	Optional 12V power adapter or from attached local computer

Receiver	
Console port	1 x DB-15 VGA, up to 1920 x 1440 2 x USB connector for KB & mouse
Remote I/O	1 x RJ-45, connect the Transmitter, Resolution : 16:9 - ( 1920 x 1080 ) Max. 50 meters 16:10 - ( 1920 x 1200 ) Max. 50 meters 16:10 - ( 1440 x 900 ) Max. 100 meters 4:3 - ( 1600 x 1200 ) Max. 100 meters 4:3 - ( 1280 x 1024 ) Max. 150 meters
Local computer	1 x DB-15 combo KVM port
LED	Local ( green / red ) Remote ( green / red )
Power input	12V power adapter

Power	
Consumption	Max. 9W

Compliance	
Safety	FCC & CE certified
Environment	RoHS2 compliant

Physical	
Product (W x D x H)	165 x 85 x 32 mm 6.5 x 3.3 x 1.3 inch
Packing (W x D x H)	317 x 210 x 107 mm 12.5 x 8.3 x 4.2 inch
Net weight	Transmitter 200 g Receiver 200 g
Gross weight	1.25 kg

Environment	
Operating temp.	0 to 55°C degree
Storage temp.	-20 to 60°C degree
Operating humidity	20~90%, non-condensing
Storage humidity	5 ~90%, non-condensing
Operating altitude	16,000 ft
Non-operating altitude	40,000 ft
Shock	10G acceleration ( 11ms duration )
Vibration	5~500Hz 1G RMS random vibration